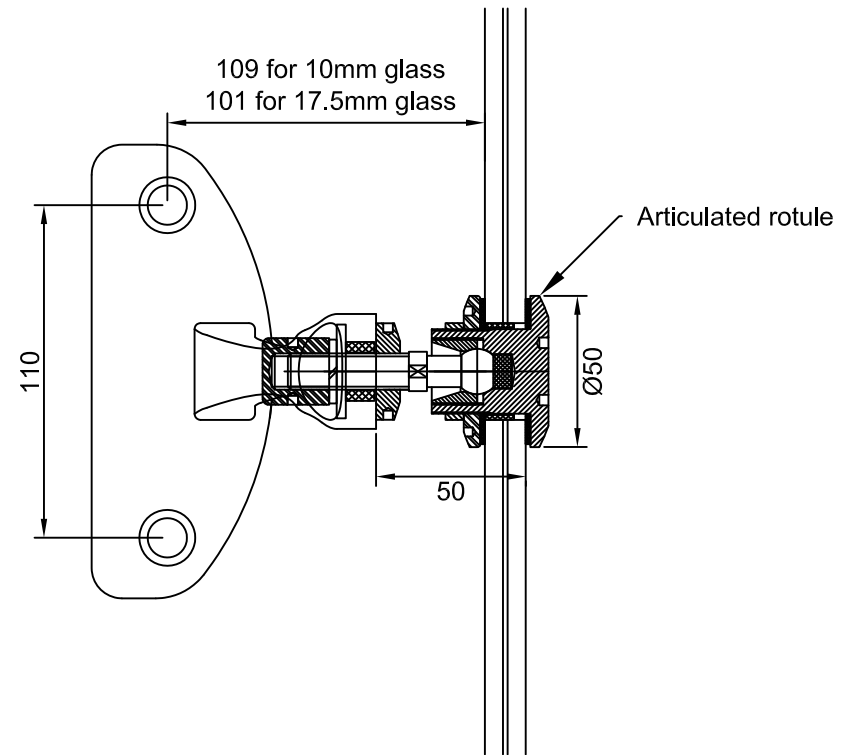
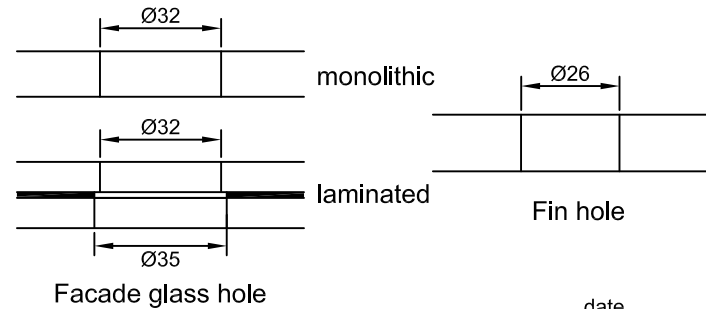


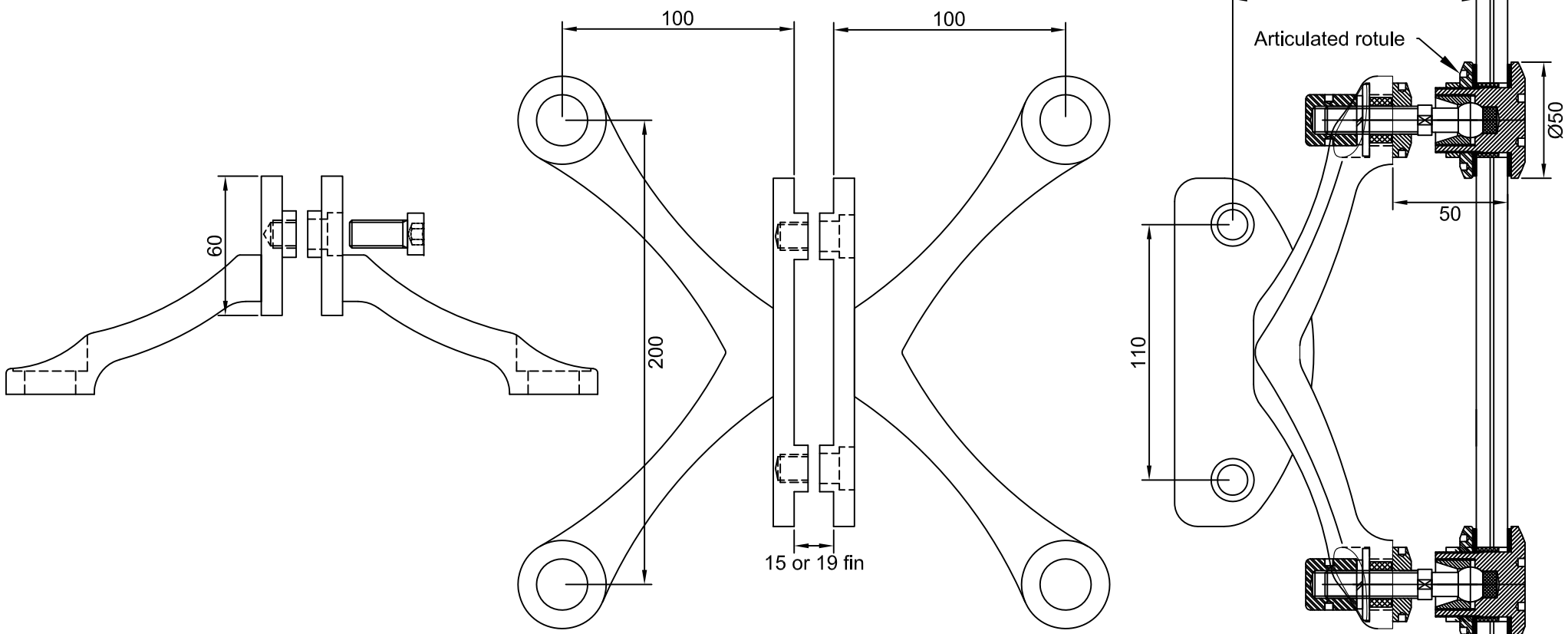
FNZ-CX1 spider



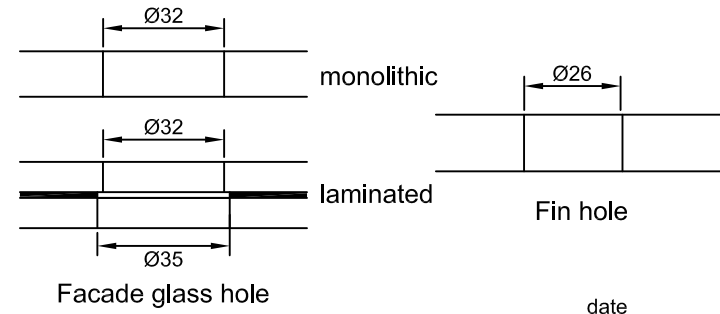
Articulated rotule



- Notes:
1. Spiders are supplied in standard satin stainless steel. Polished s.s. is available subject to pricing and delivery.
 2. CXFHABM12 articulated rotule fits 10mm to 17.5mm thick glass.
 3. Spider fits 15mm or 19mm glass fin.



FNZ-CX2 spider



Notes:

1. Spiders are supplied in standard satin stainless steel. Polished s.s. is available subject to pricing and delivery.
2. CXFHABM12 articulated rotule fits 10mm to 17.5mm thick glass.
3. Spider fits 15mm or 19mm glass fin.

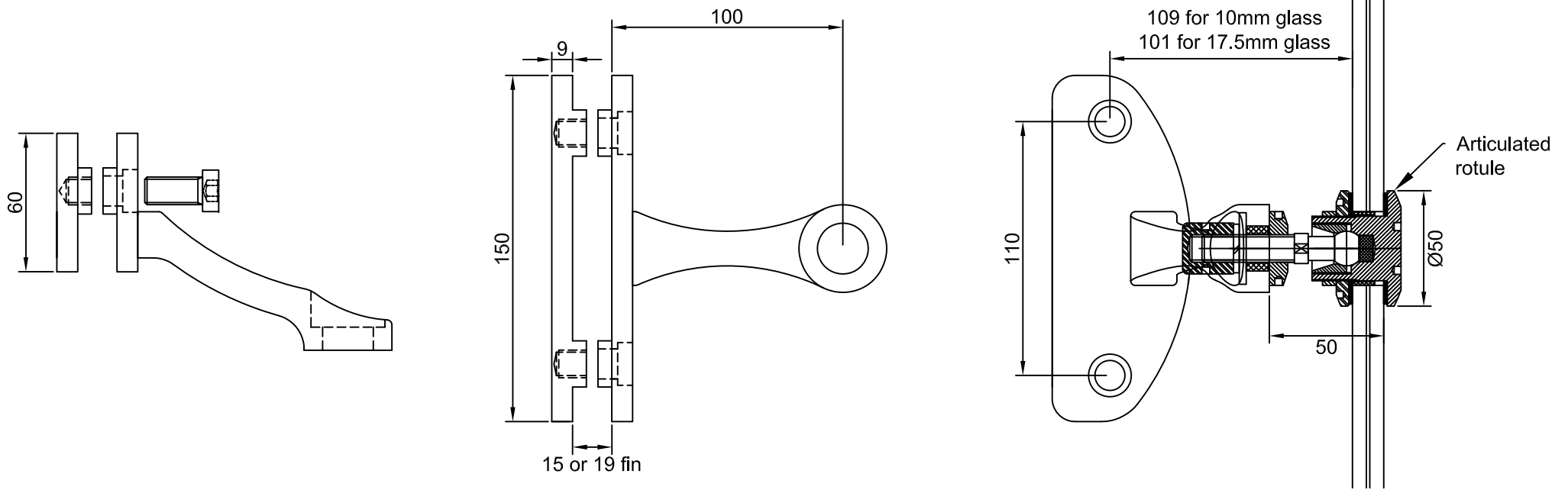


A division of Viridian Glass Ltd Partnership

EUROGLASS FNZ-CX1-G WITH ARTICULATED ROTULE

date 24-1-13
scale

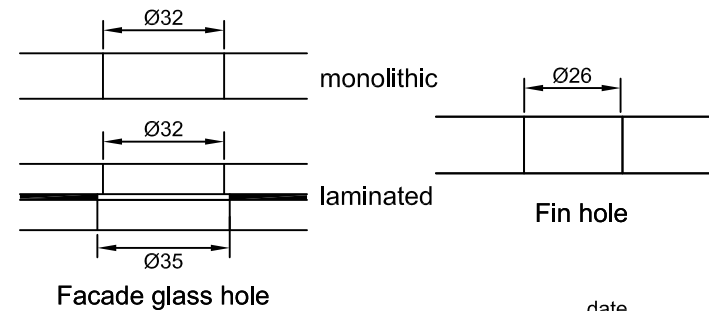
drawing no EFNZCX2



FNZ-CX1-G spider

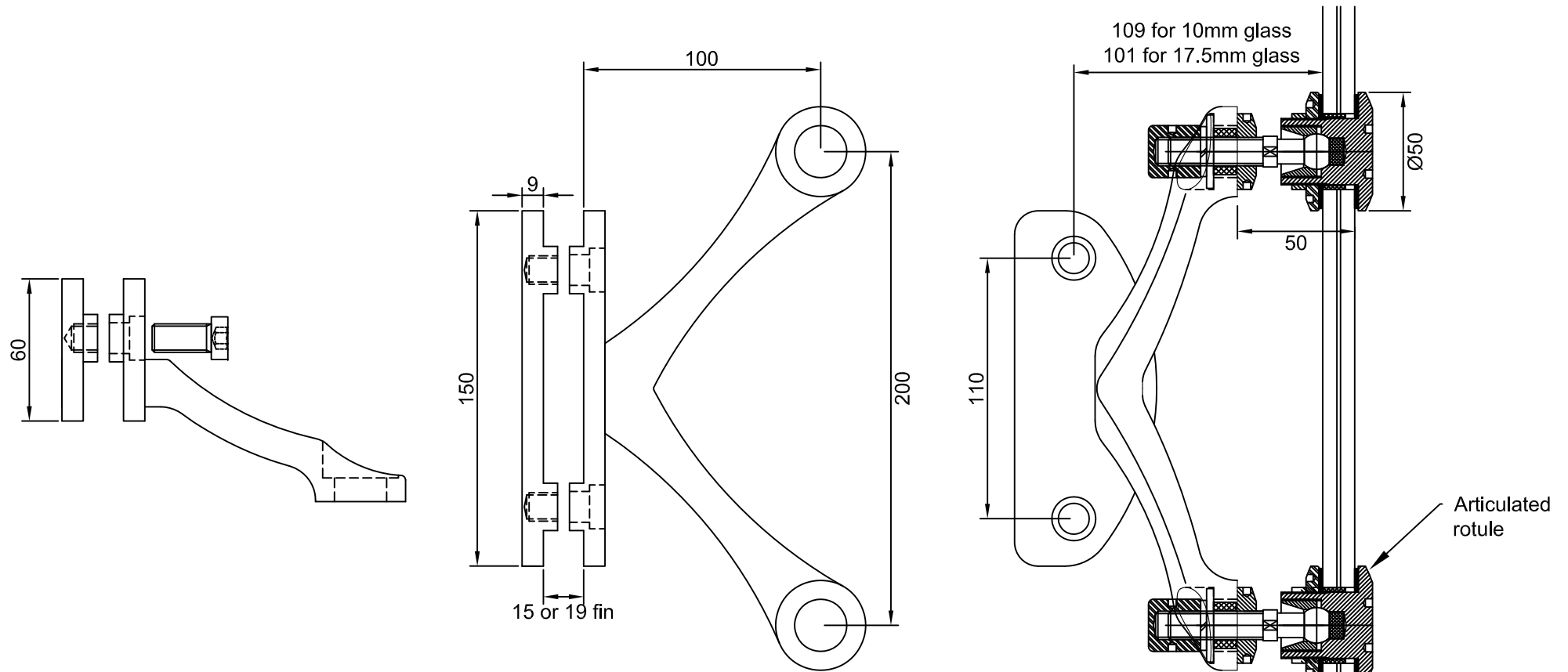
Notes:

1. Spiders are supplied in standard satin stainless steel. Polished s.s. is available subject to pricing and delivery.
2. CXFHABM12 articulated rotule fits 10mm to 17.5mm thick glass.
3. Spider fits 15mm or 19mm glass fin.



date 24-1-13
scale

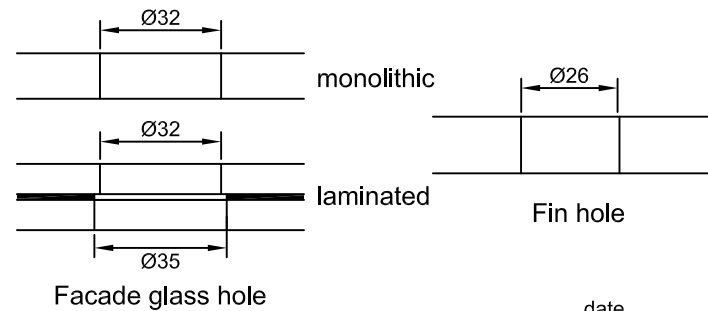
drawing no EFNZCX1G



FNZ-CX2-G spider

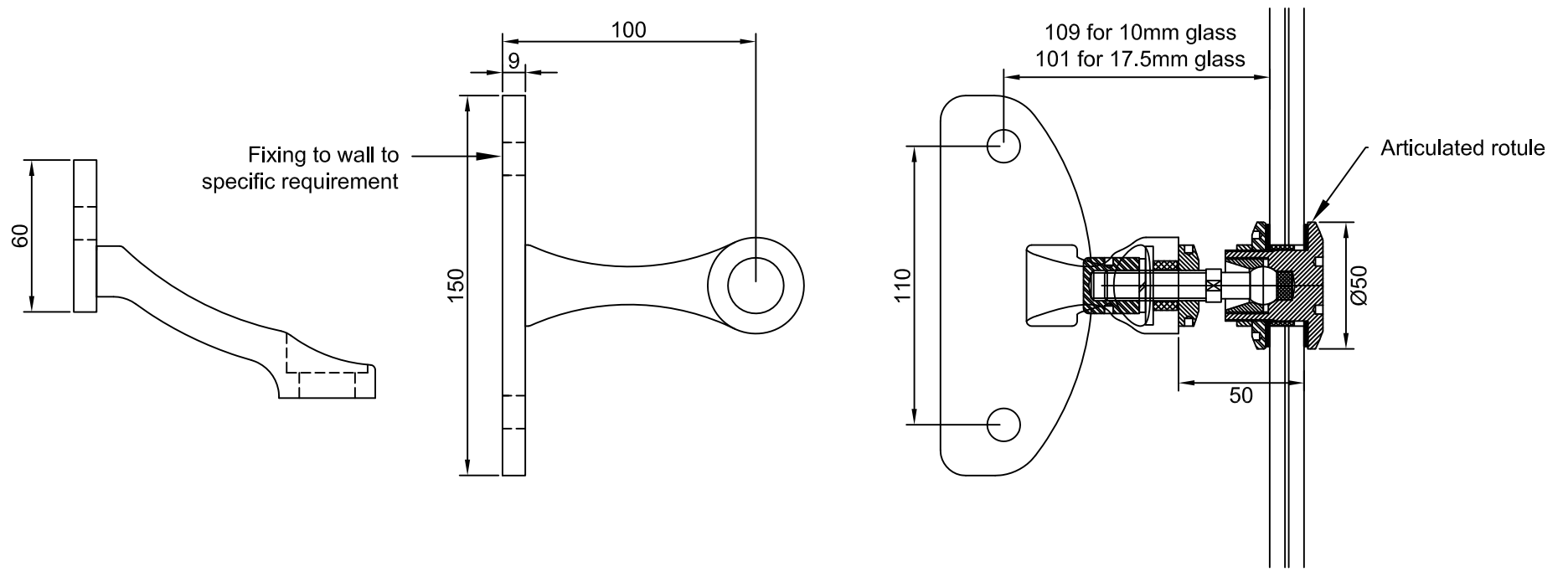
Notes:

1. Spiders are supplied in standard satin stainless steel. Polished s.s. is available subject to pricing and delivery.
2. CXFHABM12 articulated rotule fits 10mm to 17.5mm thick glass.
3. Spider fits 15mm or 19mm glass fin.



date 24-1-13
scale

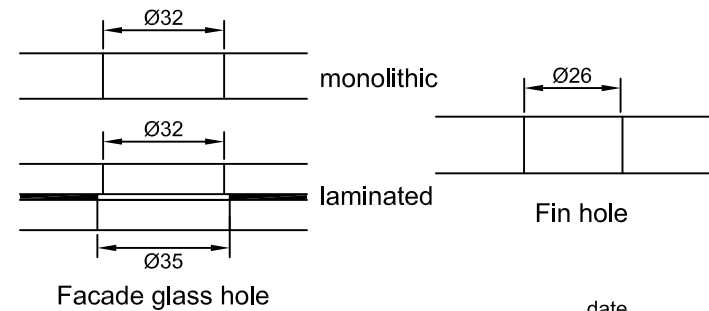
drawing no EFNZCX2G



FNZ-CX1-W spider

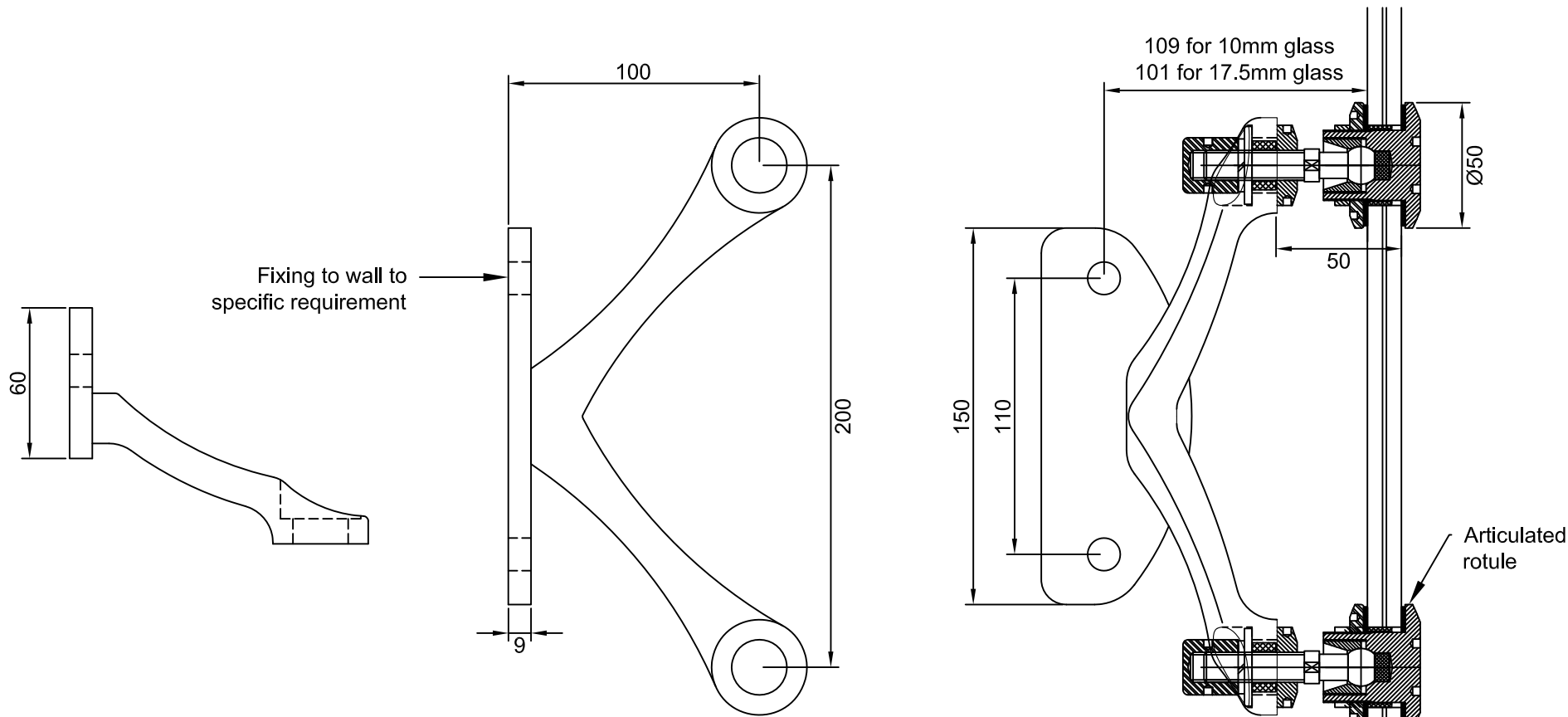
Notes:

1. Spiders are supplied in standard satin stainless steel. Polished s.s. is available subject to pricing and delivery.
2. CXFHABM12 articulated rotule fits 10mm to 17.5mm thick glass.
3. Fixings to wall are be supplied as an extra item to specific requirement.

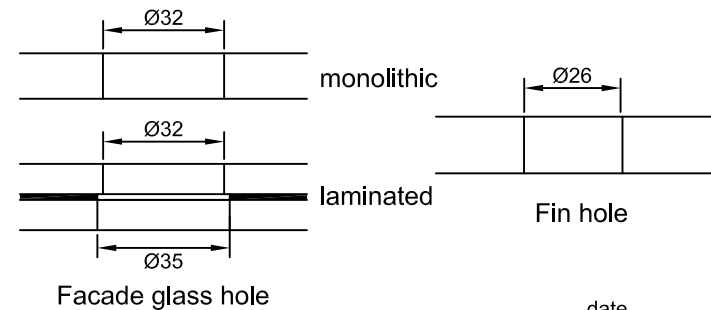


date 24-1-13
scale

drawing no EFNZCX1W



FNZ-CX2-W spider



Notes:

1. Spiders are supplied in standard satin stainless steel. Polished s.s. is available subject to pricing and delivery.
2. CXFHABM12 articulated rotule fits 10mm to 17.5mm thick glass.
3. Fixings to wall are supplied as an extra item to specific requirement.



A division of Viridian Glass Ltd Partnership

EUROGLASS FNZ-CX2-W WITH ARTICULATED ROTULE

date 24-1-13
scale

drawing no EFNZCX2W