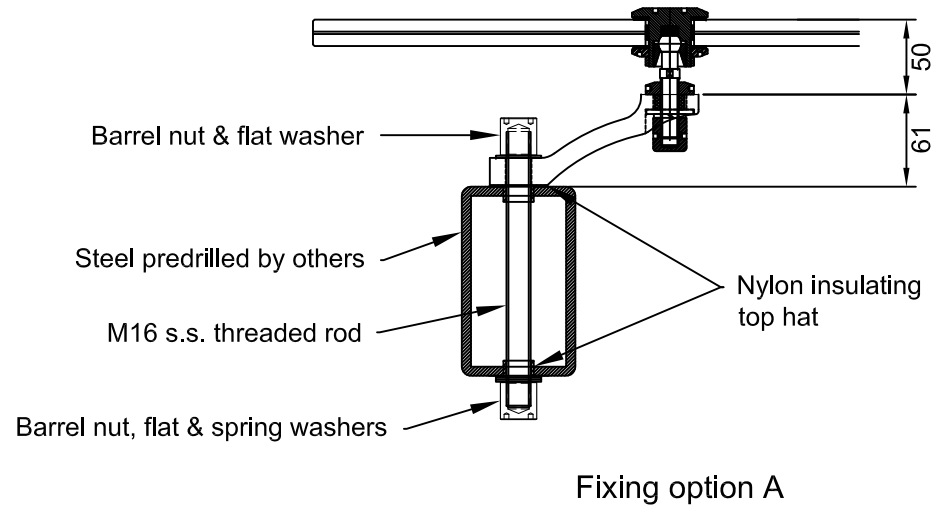
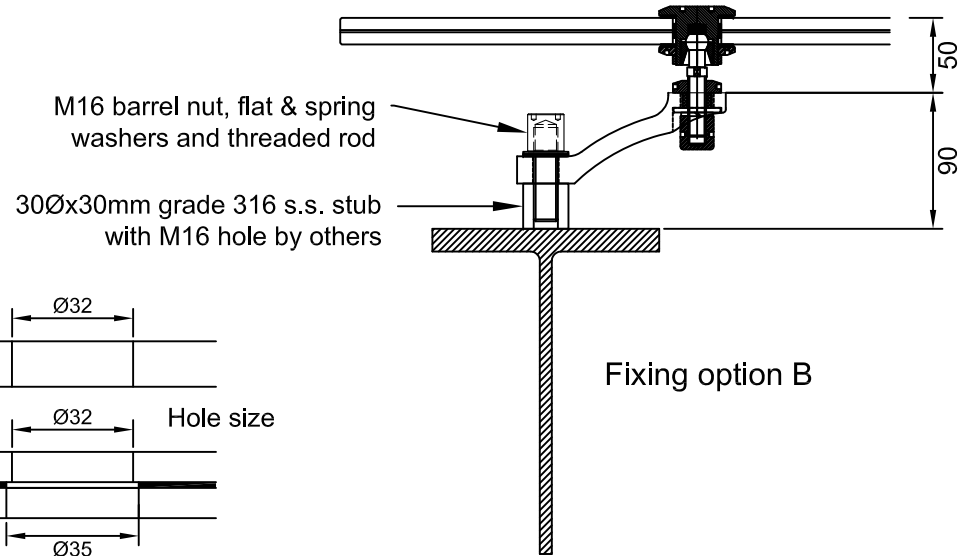


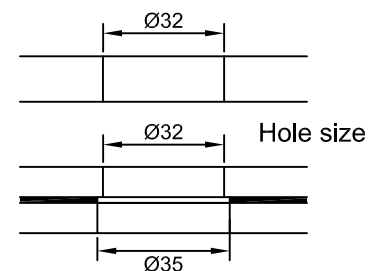
CX1 spider



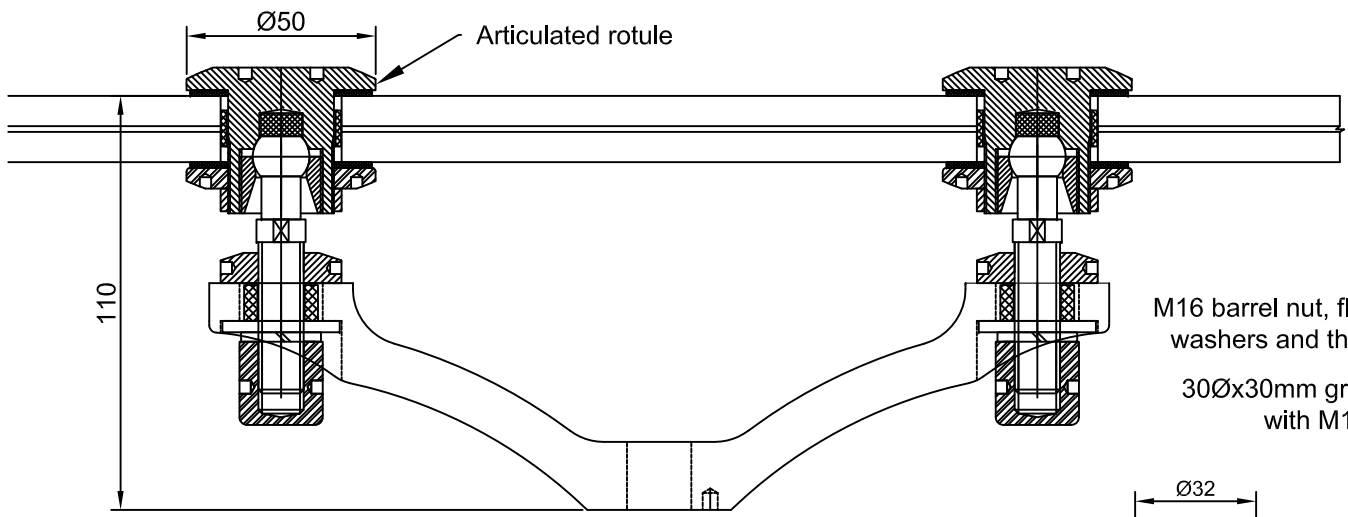
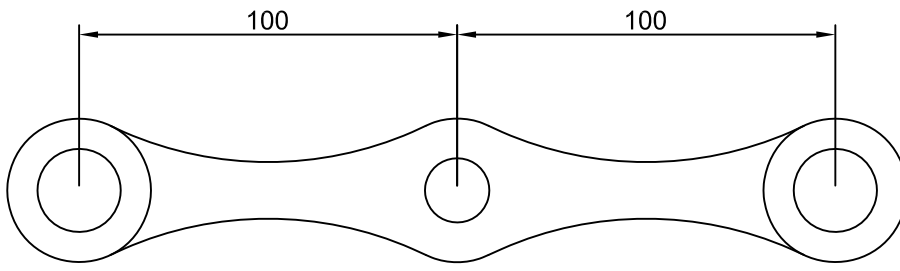
Fixing option A



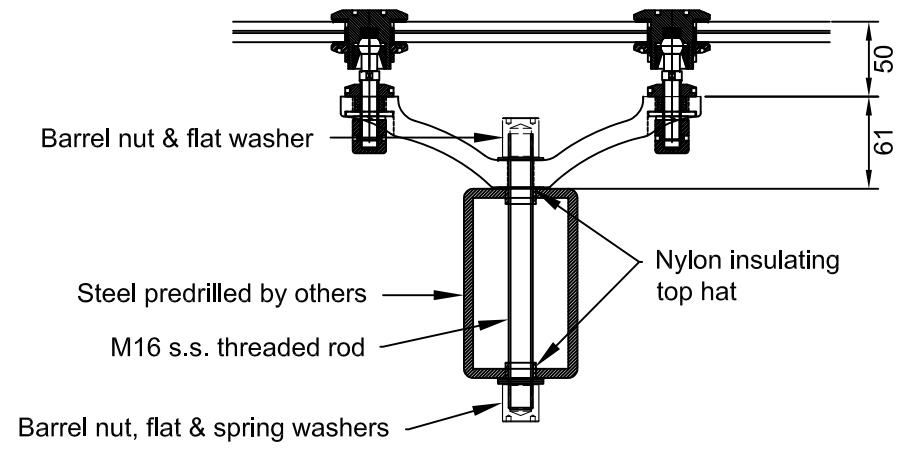
Fixing option B



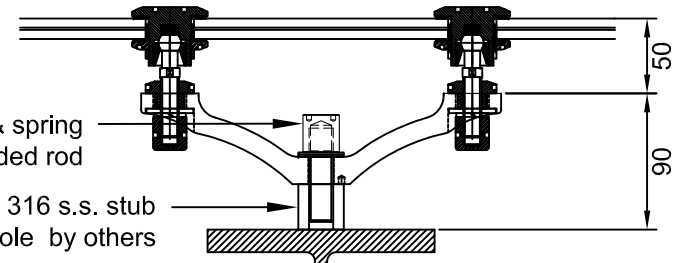
- Notes:
1. Spiders are supplied in standard satin stainless steel. Polished s.s. is available subject to pricing and delivery.
  2. CXFHABM12 articulated rotule fits 10mm to 17.5mm thick glass.
  3. Fixings to supporting structure are supplied as an extra item to specific order.



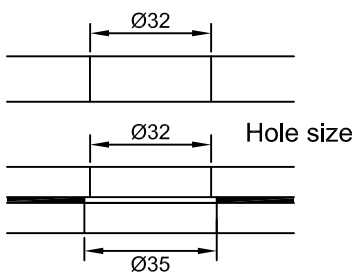
CX2 spider



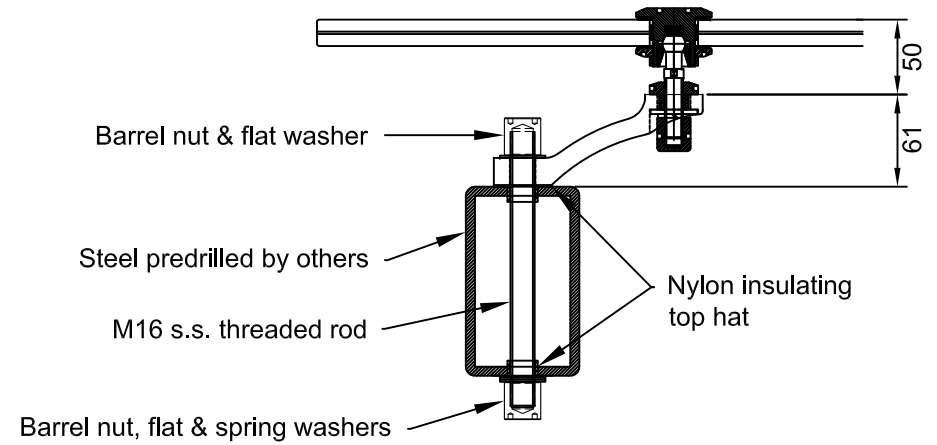
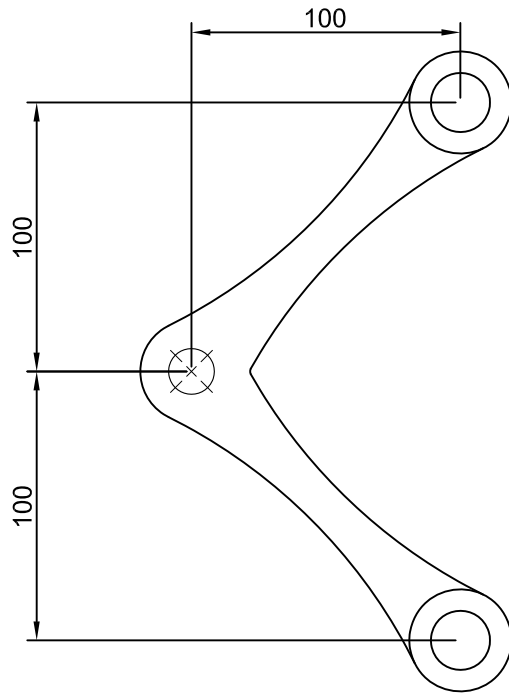
Fixing option A



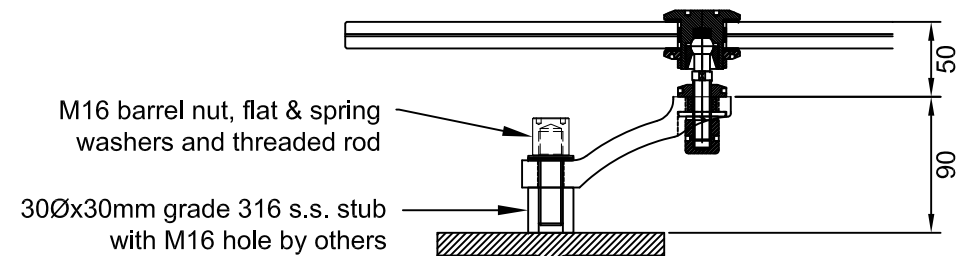
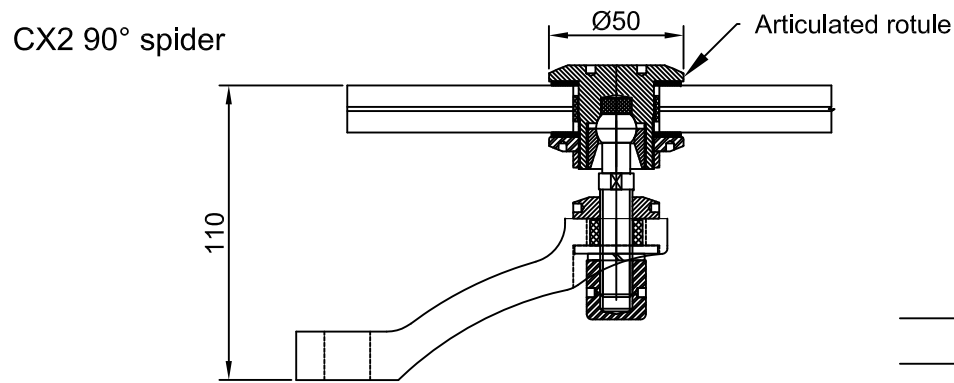
Fixing option B



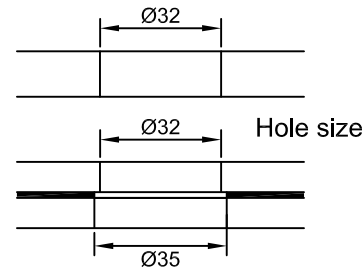
- Notes:
1. Spiders are supplied in standard satin stainless steel. Polished s.s. is available subject to pricing and delivery.
  2. CXFHABM12 articulated rotule fits 10mm to 17.5mm thick glass.
  3. Fixings to supporting structure are supplied as an extra item to specific order.



Fixing option A

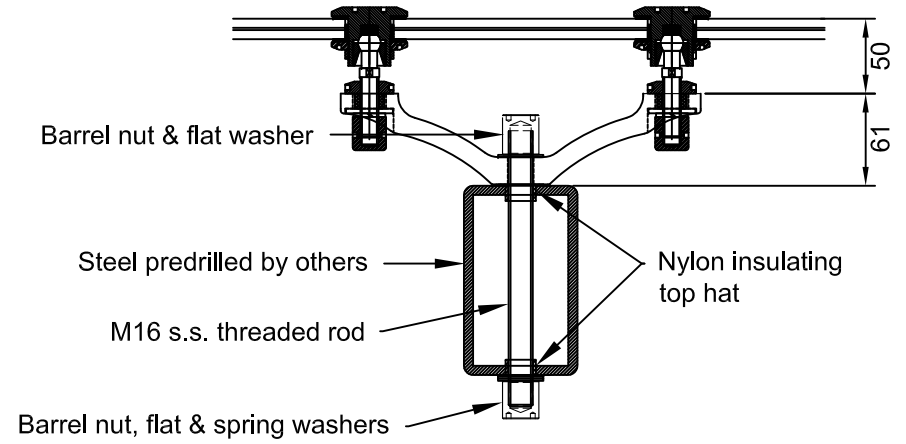
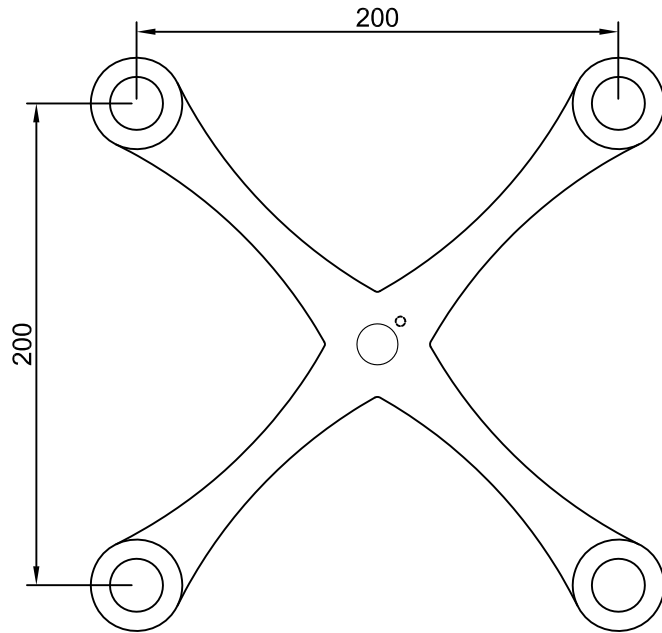


Fixing option B

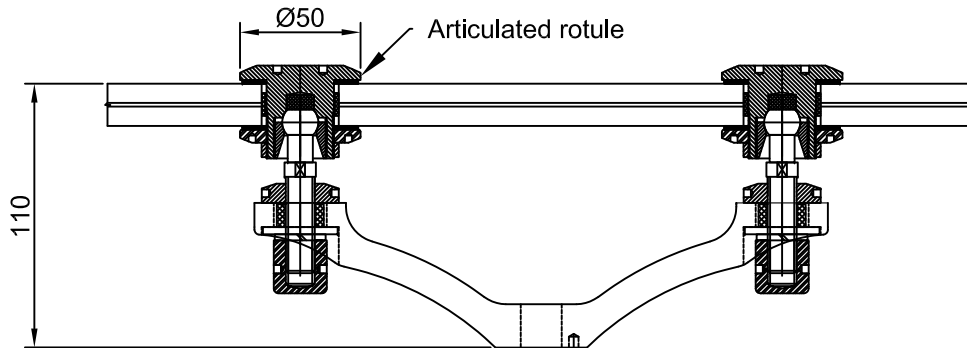


- Notes:
1. Spiders are supplied in standard satin stainless steel. Polished s.s. is available subject to pricing and delivery.
  2. CXFHABM12 articulated rotule fits 10mm to 17.5mm thick glass.
  3. Fixings to supporting structure are supplied as an extra item to specific order.

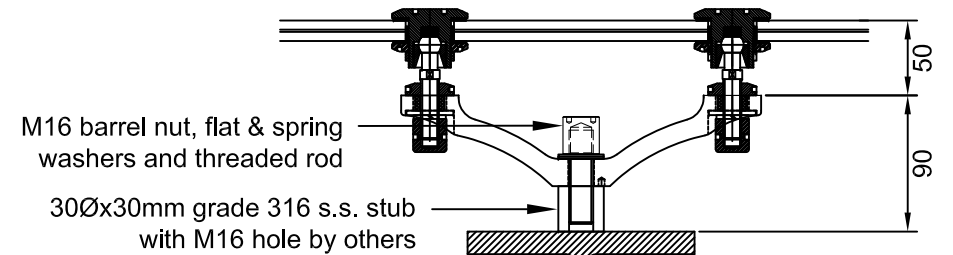
date 15-1-13 drawing no ECX2 90°  
scale



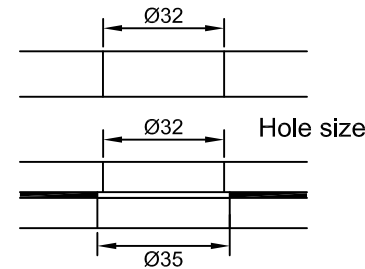
Fixing option A



CX4 spider



Fixing option B



Notes:

1. Spiders are supplied in standard satin stainless steel. Polished s.s. is available subject to pricing and delivery.
2. CXFHABM12 articulated rotule fits 10mm to 17.5mm thick glass.
3. Fixings to supporting structure are supplied as an extra item to specific order.



A division of Viridian Glass Ltd Partnership

EUROGLASS CX4 SPIDER WITH ARTICULATED ROTULE

date 15-1-13

drawing no

scale

ECX4