

- Notes:
1. Spiders are supplied in standard polished stainless steel. Satin s.s. is available subject to pricing and delivery.
  2. CFHABM12 articulated rotule fits 10mm to 17.5mm thick glass.
  3. Fixings to supporting structure are supplied as an extra item to specific requirement.

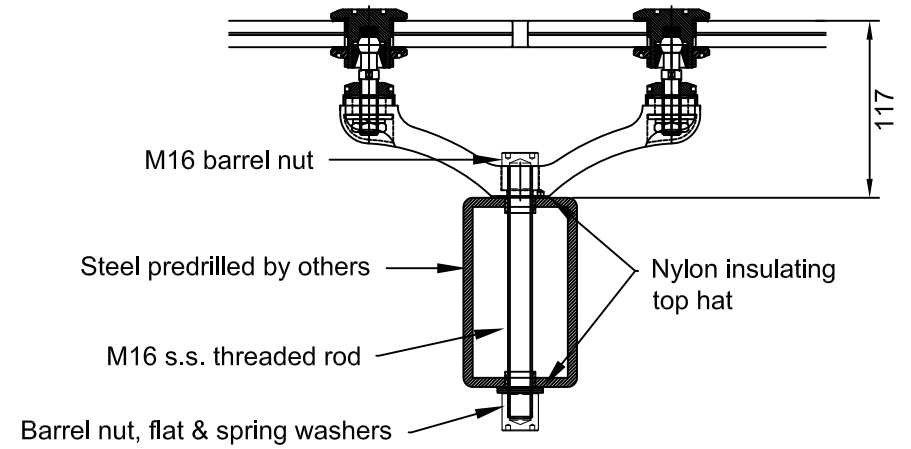
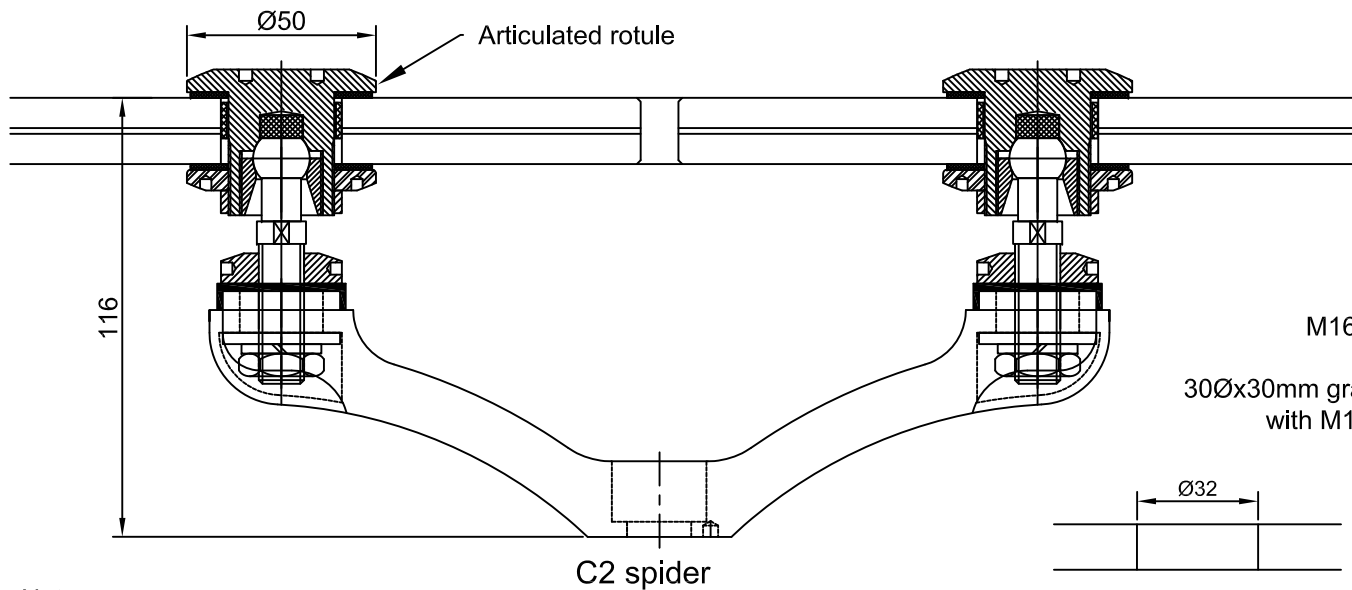
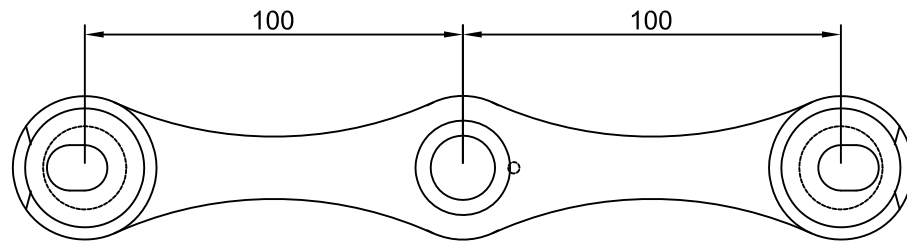


A division of Viridian Glass Ltd Partnership

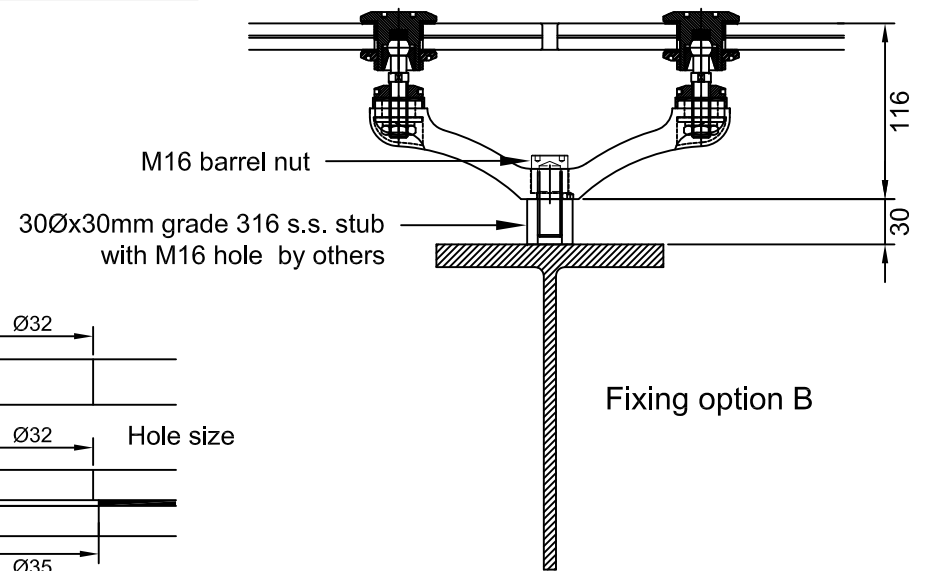
EUROGLASS C1 SPIDER WITH ARTICULATED ROTULE

date 1-2-13  
scale

drawing no EC1

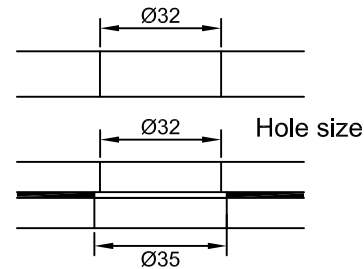


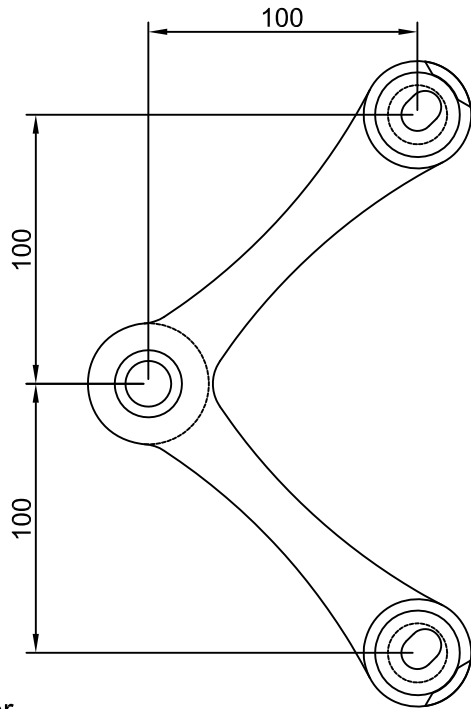
Fixing option A



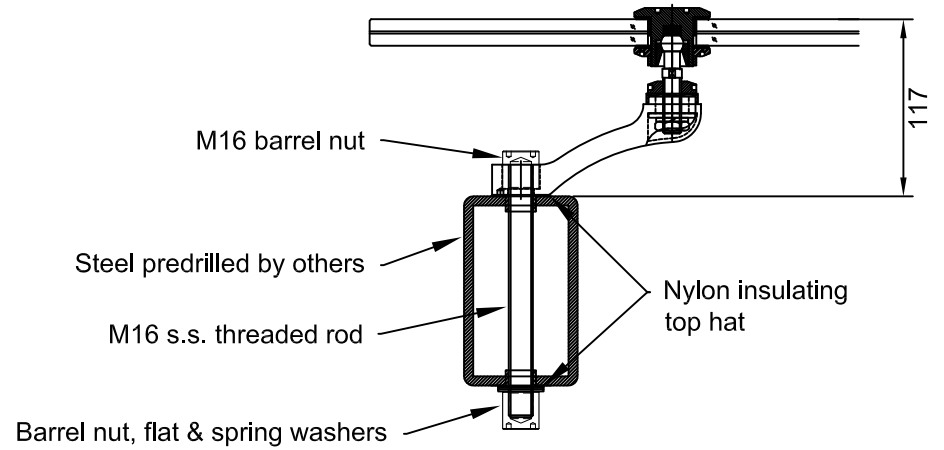
Fixing option B

- Notes:
1. Spiders are supplied in standard polished stainless steel. Satin s.s. is available subject to pricing and delivery.
  2. CFHABM12 articulated rotule fits 10mm to 17.5mm thick glass.
  3. Fixings to supporting structure are supplied as an extra item to specific requirement.

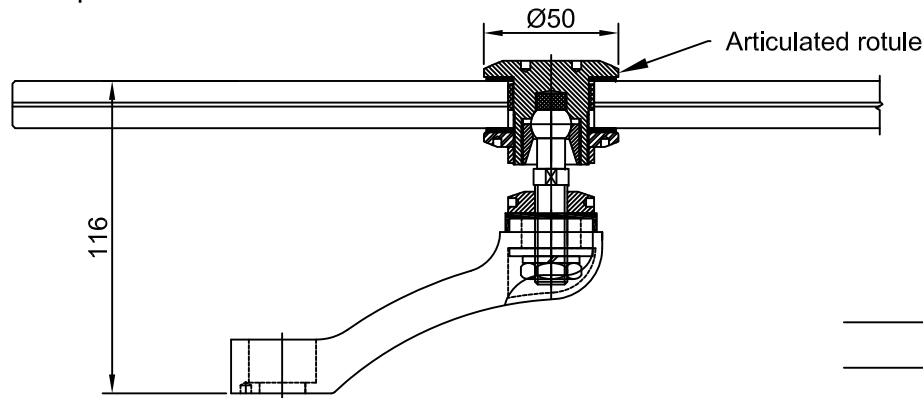




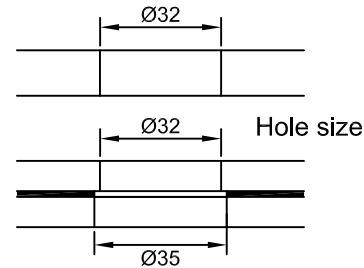
C2 90° spider



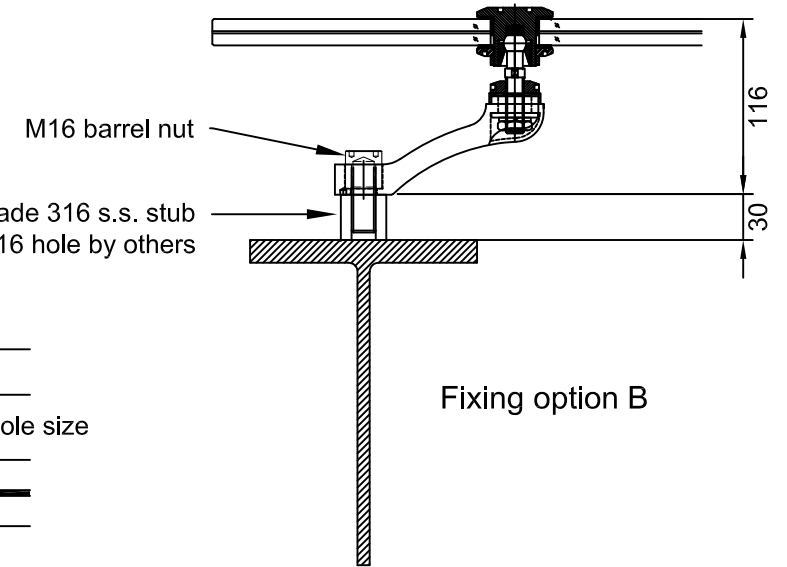
Fixing option A



30x30mm grade 316 s.s. stub with M16 hole by others



Hole size



Fixing option B

Notes:

1. Spiders are supplied in standard polished stainless steel. Satin s.s. is available subject to pricing and delivery.
2. CFHABM12 articulated rotule fits 10mm to 17.5mm thick glass.
3. Fixings to supporting structure are supplied as an extra item to specific requirement.



A division of Viridian Glass Ltd Partnership

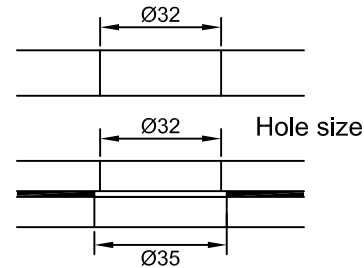
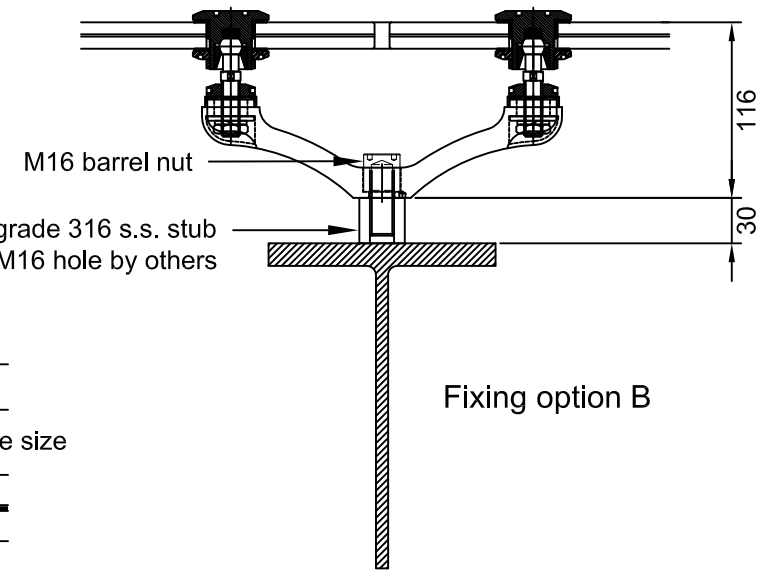
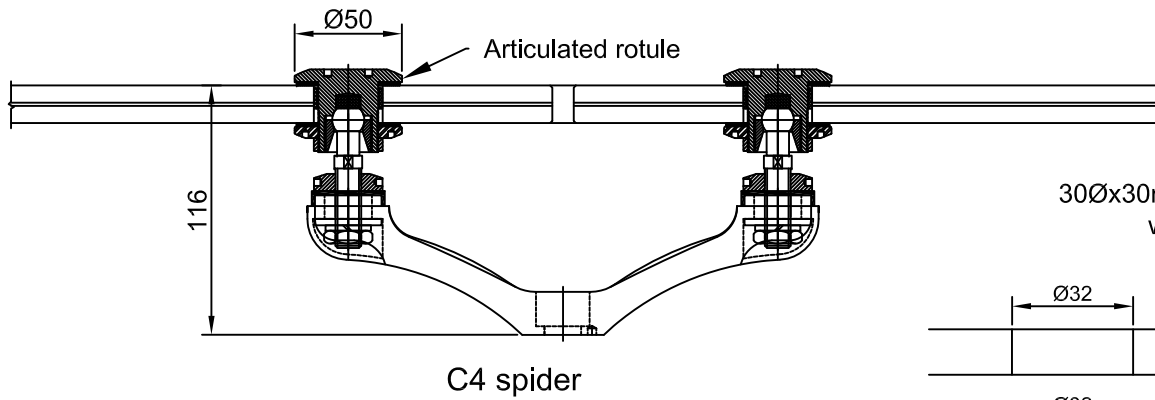
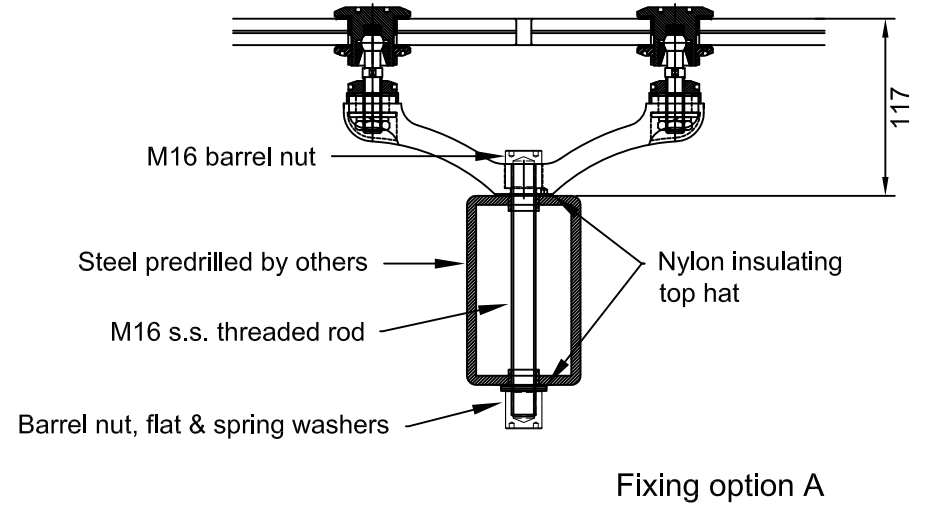
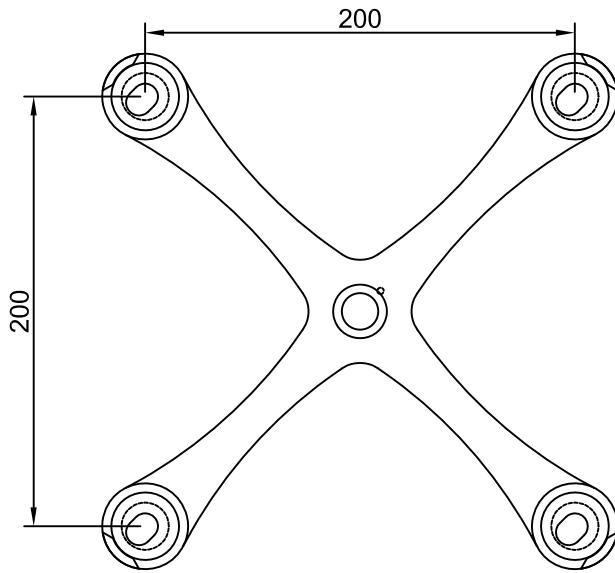
EUROGLASS C2 90° SPIDER WITH ARTICULATED ROTULE

date 15-1-13

drawing no

scale

EC2 90°



Notes:

1. Spiders are supplied in standard polished stainless steel. Satin s.s. is available subject to pricing and delivery.
2. CFHABM12 articulated rotule fits 10mm to 17.5mm thick glass.
3. Fixings to supporting structure are supplied as an extra item to specific requirement.



A division of Viridian Glass Ltd Partnership

EUROGLASS C4 SPIDER WITH ARTICULATED ROTULE

date 15-1-13  
scale

drawing no EC4