

NOTES:

1. This proprietary balustrade system complies with New Zealand Building Code Clauses B1 Structure, B1/AS1 Amendment 15, F2 Hazardous Building Materials and F4 Safety From Falling Third Edition, subject to:

-all products meeting the required performance specification
 -site installation carried out in accordance with the intent of this drawing

2. Based on design loads from Table 3.3 of AS/NZS 1170.1 and extra high wind zone or below, minimum safety glass thicknesses according to 22.4.3 of NZS 4223.3:2016 and maximum balustrade heights measured from top of clamp are:

Occupancies B, E & C3 :

Maximum height 1200mm

- a. Viridian 15mm toughened with interlinking rail
- b. 17.2mm toughened laminated glass with gap clamps with a maximum pane width of 2000mm
- c. 17.52mm toughened SentryGlas laminated glass with a minimum pane width of 1000mm

Occupancies C1/C2 & D :

Maximum height 1100mm

- c. 19mm toughened safety glass with interlinking rail
- d. 21.2mm toughened laminated glass with gap clamps with a maximum pane width of 2000mm
- e. 21.52mm toughened SentryGlas laminated glass with a minimum pane width of 1000mm

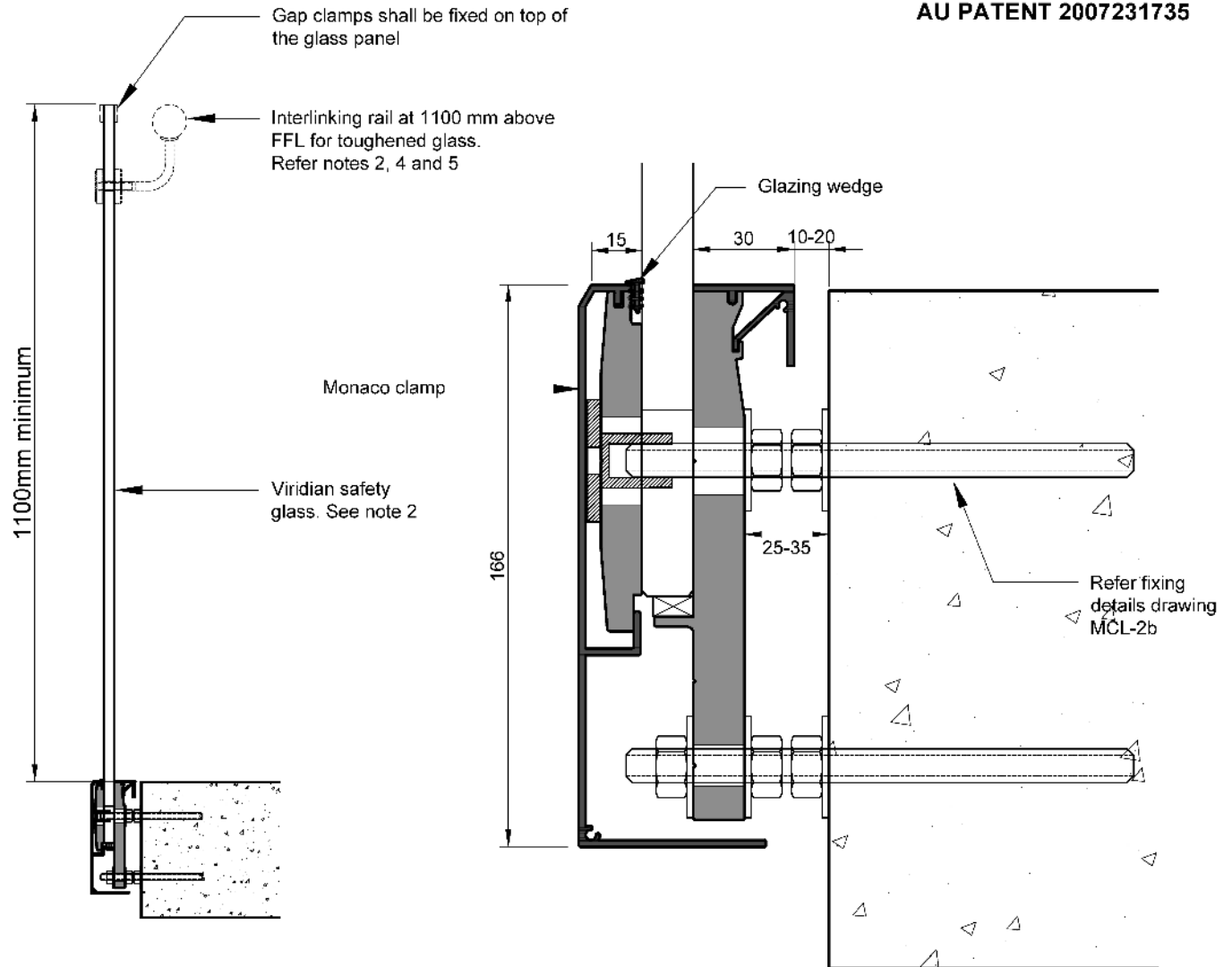
-Interlinking rail or gap clamps must be connected to each glass pane or the building.

-Gap clamps shall be fixed on top of the glass panel.

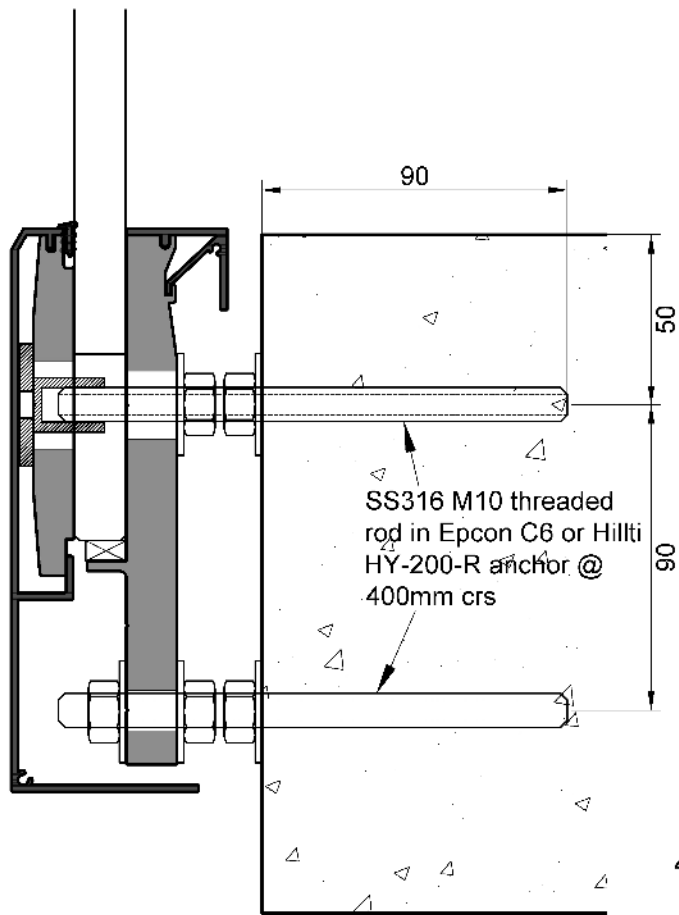
3. Concrete, timber and steel design is the responsibility of others

4. A handrail of 32-50mm diameter is required for stairs and ramps exceeding 1:20 slope. Refer NZBC D1/AS1.

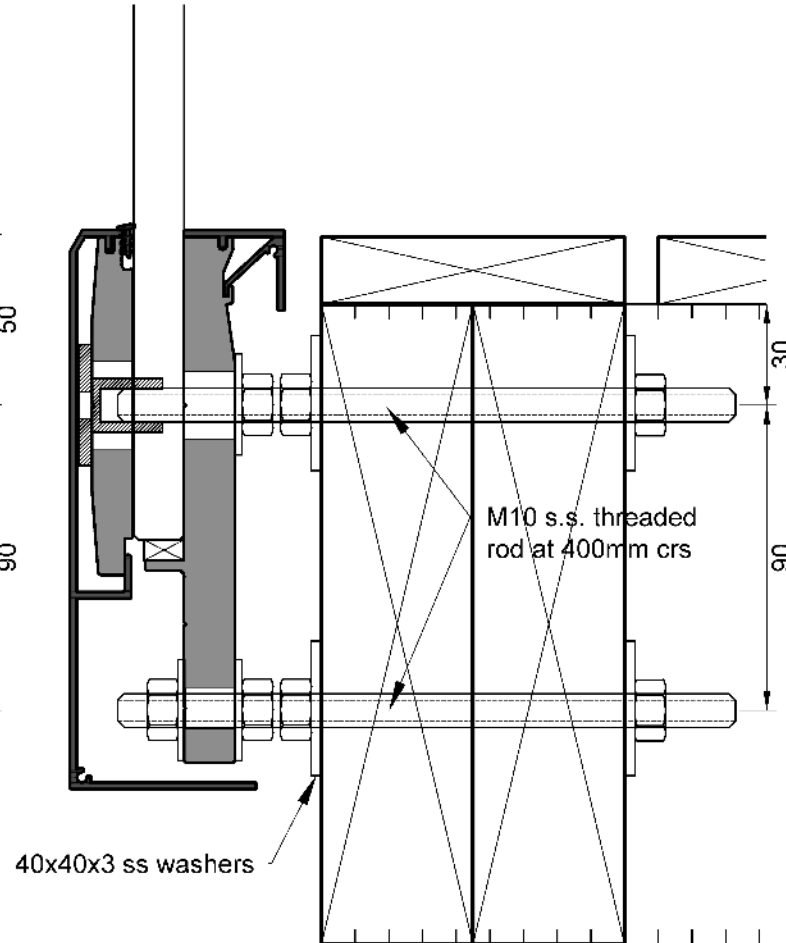
**NZ PATENT 551096
 AU PATENT 2007231735**



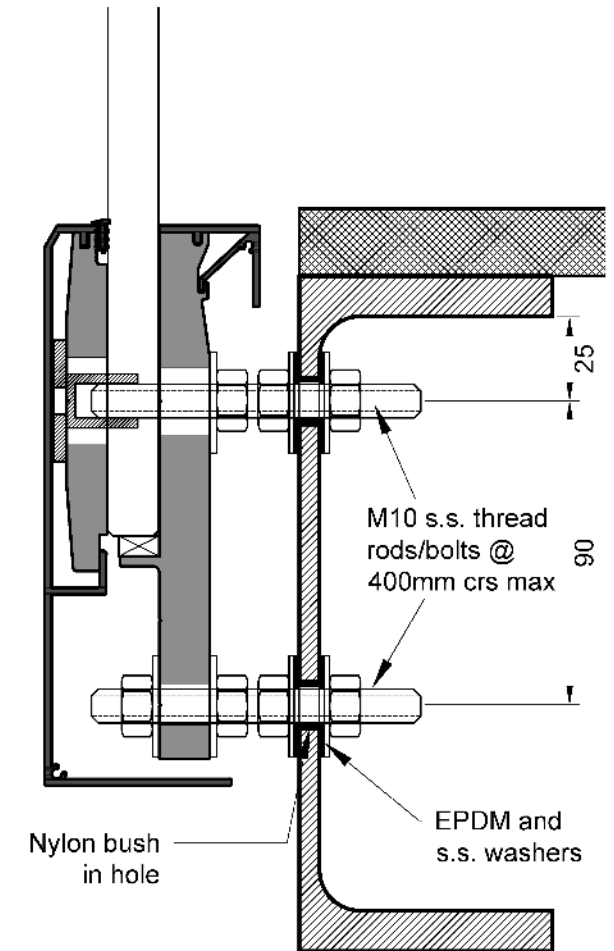
NZ PATENT 551096
 AU PATENT 2007231735



FIXING DETAIL A



FIXING DETAIL B



FIXING DETAIL C